



UK

**RHGC**

**UK** Read and save these instructions!

**exodraft**

- 1. UK – Product information .....4**
  - 1.1 System description .....4
  - 1.2 Construction and design .....4
  - 1.3 Installation .....5
  - 1.4 Wiring .....7
  - 1.5 Pressure switch settings.....8
  - 1.6 Service and cleaning.....8
  - 1.7 Technical specifications.....9
  - 1.8 Warranty.....9
- 2. Declaration of Conformity .....10**



**Symbols:**

The following symbols have been used in the manual to draw attention to hazards or risk of damage to the product.

**Prohibition symbol:**

Failure to observe instructions marked with a prohibition symbol may result in serious or fatal injury

**Danger symbol:**

Failure to observe instructions marked with a danger symbol may result in personal injury and/or damage to the unit.



TO MINIMISE THE RISK OF FIRE, ELECTRIC SHOCK OR PERSONAL INJURY, PLEASE OBSERVE THE FOLLOWING:

- Use the device correctly following the manufacturer's instructions. If in doubt, contact the dealer.
- Prior to servicing the device, disconnect the power and ensure it cannot accidentally be reconnected.
- Installation work should be carried out by qualified personnel in accordance with national regulations.
- Follow the manufacturer's instructions for the device and general safety directions.
- This device must be earthed.

**Disposal:**

No special precautions. The product should be disposed of in accordance with national regulations governing disposal of electronic waste.

## 1. UK – Product information

### 1.1 System description

The **exodraft** RHGC chimney fan provides reliable chimney draught for closed natural gas and LPG fireplaces connected to a concentric flue gas system with a maximum burner output <13 kW. For output exceeding 13 kW, please contact **exodraft**.



**Warning!**

**All installations must be carried out by competent personnel in accordance with national laws and regulations.**



**The fan should be installed on a suitable external wall or chimney. Its installation must be in accordance with all necessary servicing, environmental and building regulations in addition to BS Standards, local bylaws and legal requirements.**

### 1.2 Construction and design

**exodraft** RHGC chimney fan is constructed from cast aluminium with a forward-curved centrifugal impeller made of galvanised steel. The chimney fan has a built-in fail-safe system consisting of a pressure differential switch (PDS) and two pressure sensors. The pressure switch ensures that the airflow is correct while the fireplace is in use.

The RHGC chimney fan comprises the following main components:

Pos.	Part	
a	Motor housing	
b	Base plate	
c	Motor	
d	Cooling panels	
e	Pressure switch	
f	Pressure sensors	



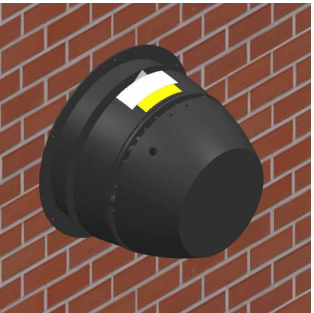
## 1.3 Installation

### CAUTION

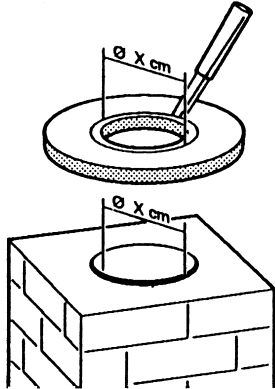
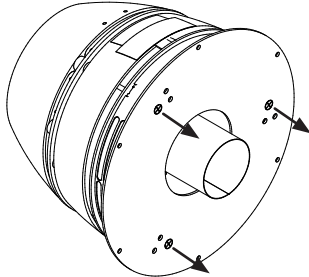
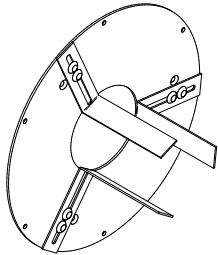
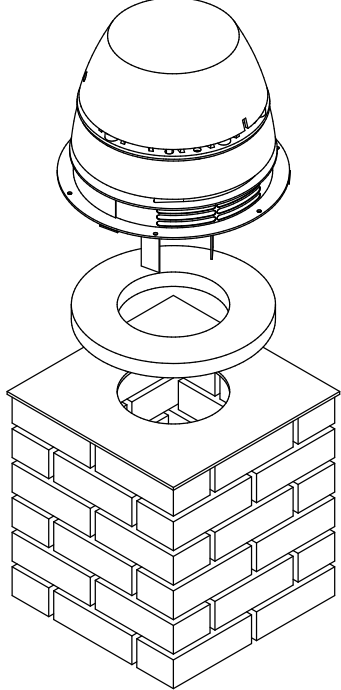


- RHGC should not be mounted directly on a timber wall or any other inflammable wall.
- When the fan is installed on a timber framed house, the recommendations of Institute of Gas Engineers publication UP-7 "Gas installations in timber framed buildings" should be observed.
- The RHGC fan should not be installed in connection with solid fuel appliances.
- On external wall, the fan unit should be located so it is minimally exposed to prevailing wind conditions.
- The fan unit should be situated in a place which allows the exhaust gasses to evacuate to surrounding air.
- Due to the risk of hot surfaces, it is required, according to EN294, that a terminal guard is used on the external wall where the fan is installed in frequented areas below 2.7 m (9 ft) from the ground level.

### Wall Mounting

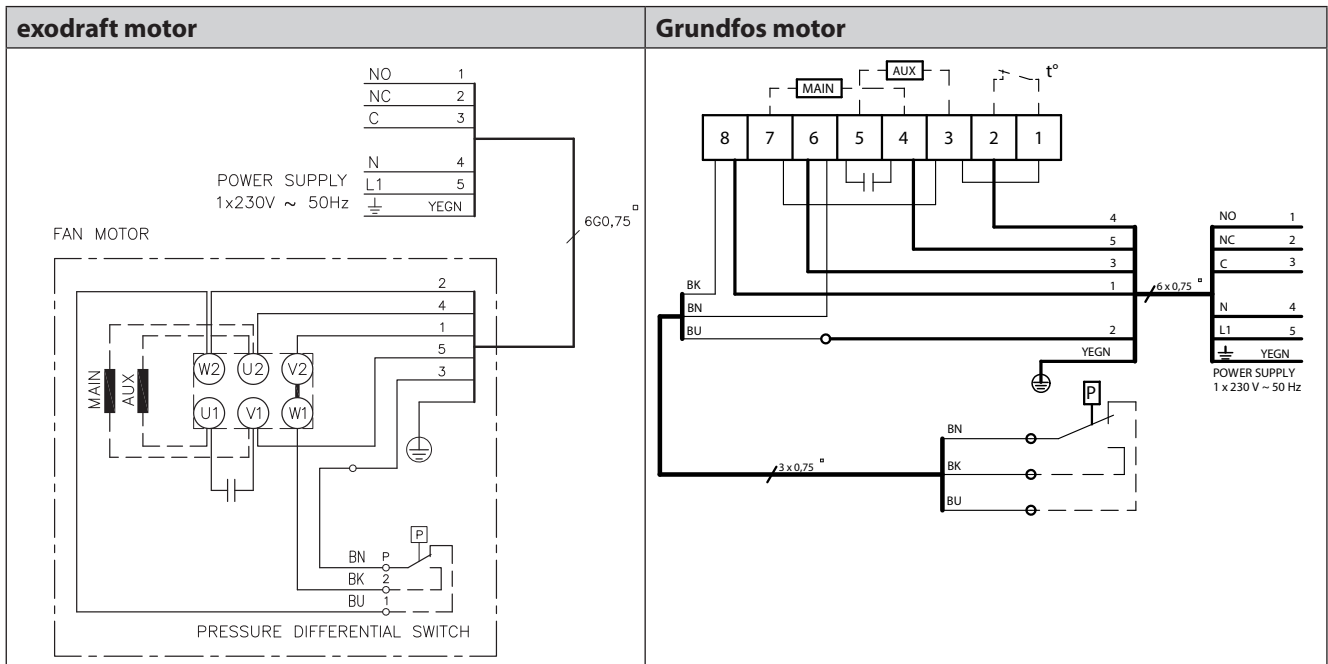
Step	Action	
1	When mounted on a wall, the name plate MUST face upwards.  It is of utmost importance that the RHGC is positioned correctly or the flow measuring system will not work.	
2	Place the fan on the concentric chimney. Mark off the holes of the base plate on the wall when the fan is positioned correctly.	
3	Remove fan assembly, drill holes in the wall and insert rawlplugs. Apply mastic to the underside of the flange and fasten fan assembly securely to the wall.	

**Top (Roof) Mounting**

Step	Action	
1	<p>Measure the internal diameter of the chimney and cut a corresponding hole in the mineral wool mat.</p> <p>Note that there must always be a minimum of 20 mm of mat surface at any point along the circumference of the hole.</p>	
2	<p>Unscrew the 3 screws holding the base plate</p>	
3	<p>Use the screws and nuts supplied to fit the location brackets to the bottom side of the base plate. Make sure to leave a sufficient gap (2–4 mm) to the chimney wall.</p> <p>Adjust the location brackets and firmly tighten the nuts.</p> <p>Mount the base plate again</p>	
4	<p>Position the mineral wool mat (aluminium foil side up) on top of the chimney and fit the chimney fan on top of it.</p>	

### 1.4 Wiring

Fan and motor specifications are provided on the fan's type plate.  
 Wires are to be connected as per the wiring diagram (see below). For further details, please consult the guidelines for **exodraft** control units. All **exodraft** fans require extra safeguards in accordance with current power regulations.  
 Any lightning conductor connected to the fan must respect current applicable legislation.



**Isolation switch** In accordance with the provisions of the EU Machinery Directive\*, a chimney fan must always have an isolation switch fitted. The isolation switch must comply with national wiring standards.

The isolation switch must be ordered separately, as it is not part of the standard **exodraft** chimney fan delivery.

\*Please refer to Machinery Directive (2006/42/EF/-EEC/-EWG/-CEE) – Appendix 1 item 1.6.3 "Separation of the sources of energy".

## 1.5 Pressure switch settings

This test must be carried out to ensure that the pressure switch (PDS) and the speed of the chimney fan have been adjusted correctly for the fireplace in question.

Prior to the test, the required speed of the fan must be determined and adjusted according to fireplace manufacturer instruction and appropriate **exodraft** fan control installation guides.

To set the PDS, open the fan cover.

Start the fan and let it run as described in the fan control manual.

### Test procedure:

- Set the pressure switch to a minimum by turning anti-clockwise.
- Slowly increase the pressure switch setting until it cuts out (you will hear a click) or observe the cut-out on the fan control.
- Make a note of the pressure switch setting at cut-off.
- Set the pressure switch to 10 Pa below the previously noted cut-off value.

After it has run for ten minutes, turn the isolation switch off and the fail-safe function will be checked. The fireplace should cut out 15 seconds after the pressure switch has cut off. **Remember to switch the isolation switch back on.**

## 1.6 Service and cleaning



**Turn the fan off at the isolation switch before any maintenance work commences.**

**Warning! The flow sensors must not be bent or moved, as this might affect their performance.**

The chimney fan can be used at temperatures of up to 200 °C. The motor has special ball bearings that are sealed, lifetime lubricated and maintenance-free.

If replacement of the bearings is required, this should be carried out by qualified professionals.

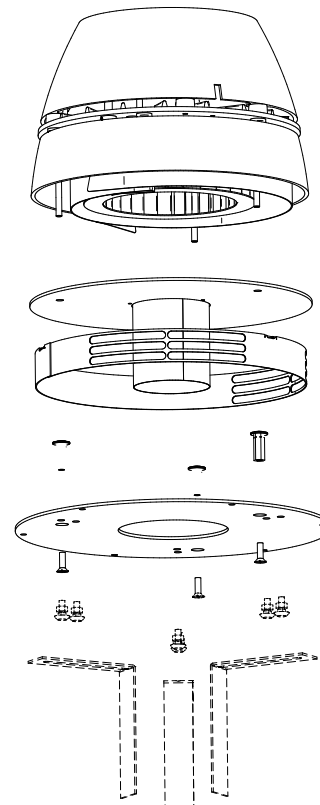
The chimney fan must be inspected at least once a year. **exodraft** recommends cleaning the entire system at the same time.

Dismantle the chimney fan as shown here. During this service procedure, all soot deposits must be removed from the centrifugal impeller and the sensors. Be very careful not to damage the flue gas measuring system.

### Regarding installations in UK:

For safety reasons, gas appliances should be inspected once a year by a CORGI registered installer.

Details of local installers can be obtained by calling CORGI on 0870 401 2300 or via the website [www.trustcorgi.com](http://www.trustcorgi.com).





## 1.7 Technical specifications

The standard version of the RHGC fan is designed to operate with a maximum flue gas temperature of 200 °C.

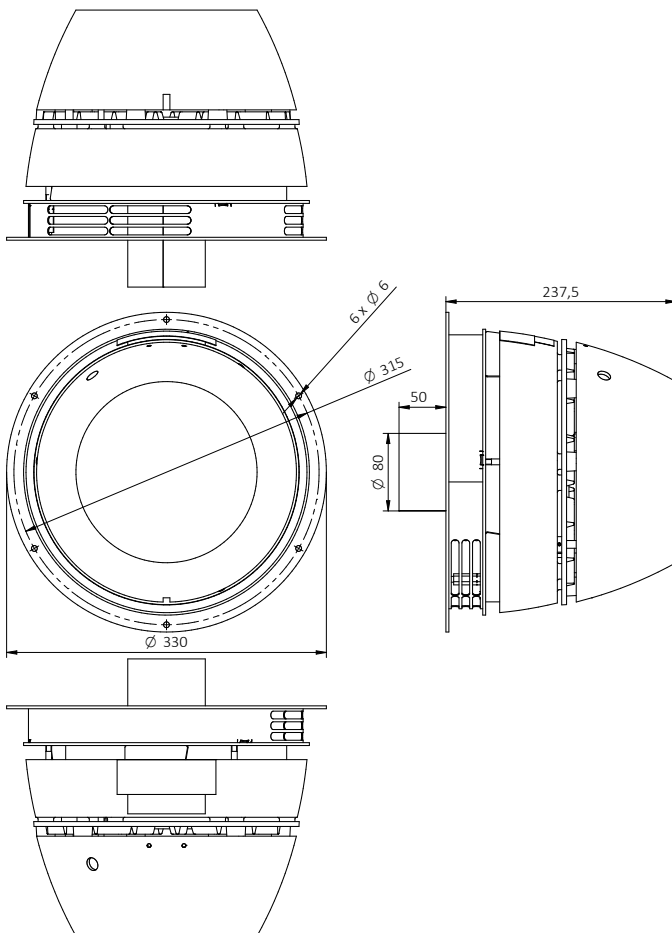
Ambient temperature: min. -20 °C to max. +40 °C.

### Chimney lengths

The minimum concentric chimney length between the fireplace and the fan is 5m.

The maximum guaranteed concentric chimney length between the fireplace and the fan is 60 m and 15 pcs 90° elbows.

Minimum chimney dimension is 80 mm inside diameter and 125 mm outside diameter.



RPM	1400
Power supply [V]	1x230
Power consumption [kW]	0,09
Amp [A]	0,4
Monting position	Wall or roof
Weight [kg]	9,95


## 1.8 Warranty

**exodraft** provides a two-year factory warranty on its chimney fans, valid from invoice date. **exodraft** fans must be installed by competent personnel. Once the fan has been installed and adjusted, and the customer has been trained in its use, the installation instructions are to be handed over to the customer.

**exodraft** reserves the right to introduce changes to these guidelines without prior notice.

## 2. Declaration of Conformity



<b>DK: EU-Overensstemmelseserklæring</b> <b>GB: Declaration of Conformity</b> <b>DE: EU-Konformitätserklärung</b> <b>FR: Déclaration de conformité de l'Union Européenne</b> <b>NO: EU-Samsvarserklæring</b>	<b>NL: EU-Conformiteits verklaring</b> <b>SE: EU-Överensstämmedeklaration</b> <b>FI: EU-Vaatumustenmukaisuusvakuutus</b> <b>IS: ESS-Samræmisstaðfesting</b> <b>IT: Dichiarazione di Conformità Unione Europea</b>
<b>exodraft a/s</b> <b>C.F. Tietgens Boulevard 41</b> <b>DK-5220 Odense SØ</b>	
-erklærer på eget ansvar, at følgende produkter: -hereby declares that the following products: -erklärt hierdurch auf eigene Verantwortung, daß folgende Produkte: -déclare, sous sa propre responsabilité, que les produits suivants: -erklærer på eget ansvar at følgende produkter:	-veklaart dat onderstaande producten: -deklarerar på eget ansvar, att följande produkter: -vastaa siltä, että seuraava tuote: -Staðfesti à eigin àbyrgð, að eftirfarandi vörur: -dichiara con la presente che i seguenti prodotti:
<b>RHGC16041</b>	
-som er omfattet af denne erklæring, er i overensstemmelse med følgende standarder: -were manufactured in conformity with the provisions of the following standards: -die von dieser Erklärung umfaßt sind, den folgenden Normen: -auxquels s'applique cette déclaration sont en conformité avec les normes ci-contre: -som er omfattet av denne erklæring, er i samsvar med følgende standarder:	-zijn vervaardigd in overeenstemming met de voorschriften uit de hieronder genoemde normen en standaards: -som omfattas av denna deklaration, överensstämmer med följande standarder: -jota tämä selvitys koskee, on seuraavien standardien mukainen: -sem eru meðtalin in staðfestingu Pessari, eru i fullu samræmi við eftirtalda staðla: -sono stati fabbricati in conformità con le norme degli standard seguenti:
<b>EN60335-1, EN60335-2-80, DS/EN ISO 12100: 2011</b>	
-i.h.t bestemmelser i direktiv: -in accordance with -entsprechen gemäß den Bestimmungen der folgenden Richtlinien: -suivant les dispositions prévues aux directives: -i.h.t bestemmelser i direktiv:	-en voldoen aan de volgende richtlijnen: -enligt bestämmelserna i följande direktiv: -seuraavien direktiivien mää räysten mukaan: -med tilvisun til ákvarðana eftirlits: -in conformità con le direttive:
-Maskindirektivet: -the Machinery Directive: -Richtlinie Maschinen: -Directive Machines: -Maskindirektivet:	-de machinerichtlijn: -Maskindirektivet -Konedirektiivi: -Vèlaeftirlitið: -Direttiva Macchinari:
<b>2006/42/EF/-EEC/-EWG/-CEE</b>	
-Lavspændingsdirektiv: -the Low Voltage Directive: -Niederspannungsrichtlinie: -Directive Basse Tension: -Lavspenningsdirektivet:	-de lvaagspanningsrichtlijn: -Lågspänningsdirektivet: -Pienjännitedirektiivi: -Smáspennueftirlitið: -Direttiva Basso Voltaggio:
<b>2006/95/EC</b>	
-EMC-direktivet: -and the EMC Directive: -EMV-Richtlinie: -Directive Compatibilité Electromagnétique: -EMC-direktivet:	-en de EMC richtlijn: -EMC-direktivet: -EMC-direktiivi: -EMC-ef tirlitið: -Direttiva Compatibilità Elettromagnetica:
<b>2004/108/EC</b>	
Odense, 03.11.2017  -Adm. direktør -Managing Director  Jørgen Andersen 	-Algemeen directeur -Geschäftsführender Direktor -Président Directeur Général -Verkställande direktör -Toimitusjohtaja -Frankvemdastjóri -Direttore Generale





---

**DK: exodraft a/s**

C. F. Tietgens Boulevard 41  
DK-5220 Odense SØ  
Tel: +45 7010 2234  
Fax: +45 7010 2235  
info@exodraft.dk  
www.exodraft.dk

**SE: exodraft a/s**

Kasten Rönnowsgatan 3B 4tr  
SE-302 94 Halmstad  
Tlf: +46 (0)8-5000 1520  
info@exodraft.se  
www.exodraft.se

**NO: exodraft a/s**

Storgaten 88  
NO-3060 Svelvik  
Tel: +47 3329 7062  
info@exodraft.no  
www.exodraft.no

**UK: exodraft Ltd.**

10 Crestway, Tarleton  
GB-Preston PR4 6BE  
Tel: +44 (0)1494 465 166  
Fax: +44 (0)1494 465 163  
info@exodraft.co.uk  
www.exodraft.co.uk

**DE: exodraft GmbH**

Soonwaldstraße 6  
DE-55569 Monzingen  
Tel: +49 (0)6751 855 599-0  
Fax: +49 (0)6751 855 599-9  
info@exodraft.de  
www.exodraft.de