

Flange system

FR-WD

The Exodraft flange system has been developed for steel chimneys to ensure that the chimney fan is placed on a flat surface. The flange creates a stable and safe transition between the chimney and chimney fan.

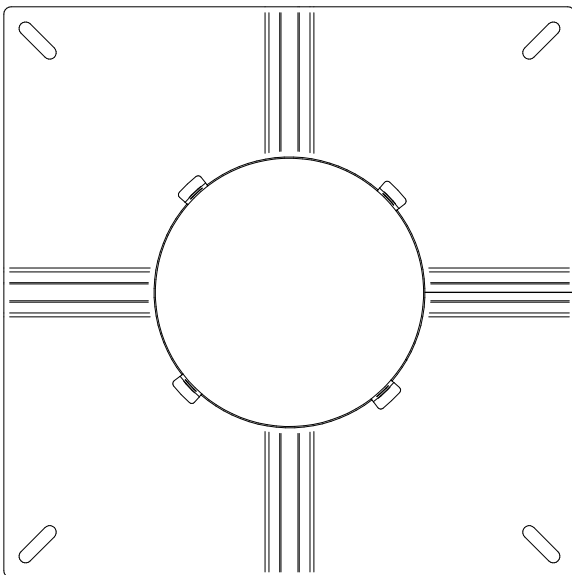
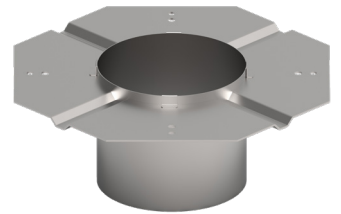
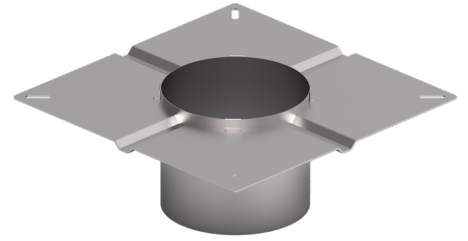
It is made of stainless steel (1.4301 (304)) and includes a set of four anti vibration bolts that reduces vibrations between the chimney fan and the chimney.

The Exodraft flanges are available in various standard sizes that fit most steel chimneys.

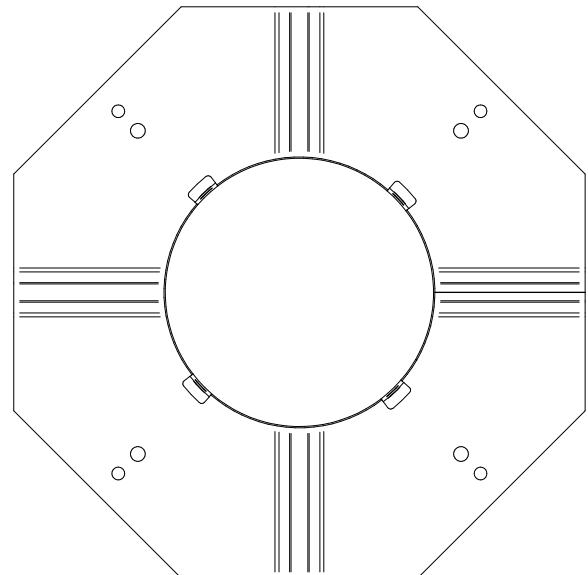
If the standard range does not fit your chimney, other sizes are available upon request.

The FR flange has waterdrain and fits all chimney fans with a square base plate.

The FR-002 flange fits chimney fans with an octagonal base plate.



Standard flange FR-WD with waterdrain

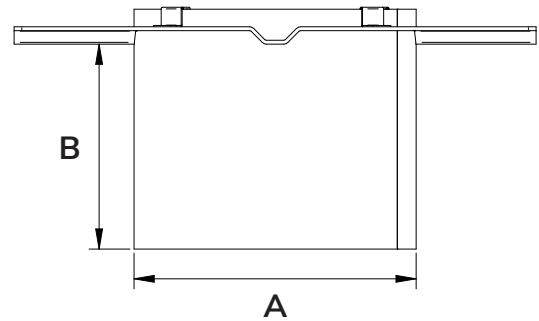
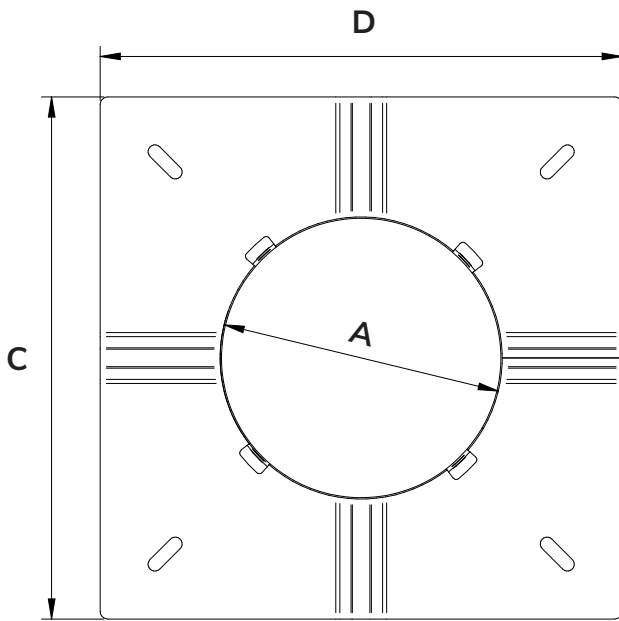
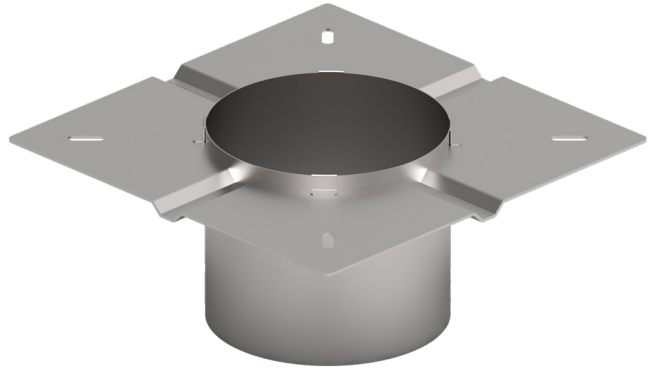


Standard flange FR-WD-002 with waterdrain
Fits chimney fans with octagonal base plates

FR1

Standard

Suitable for chimney fan model:
RSV009 and RSV160

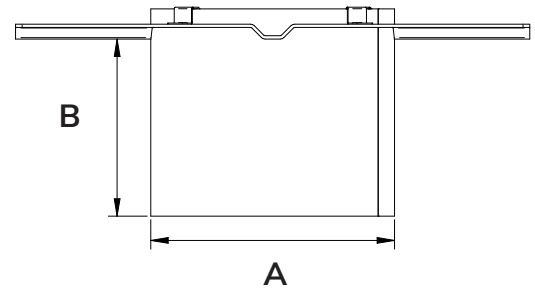
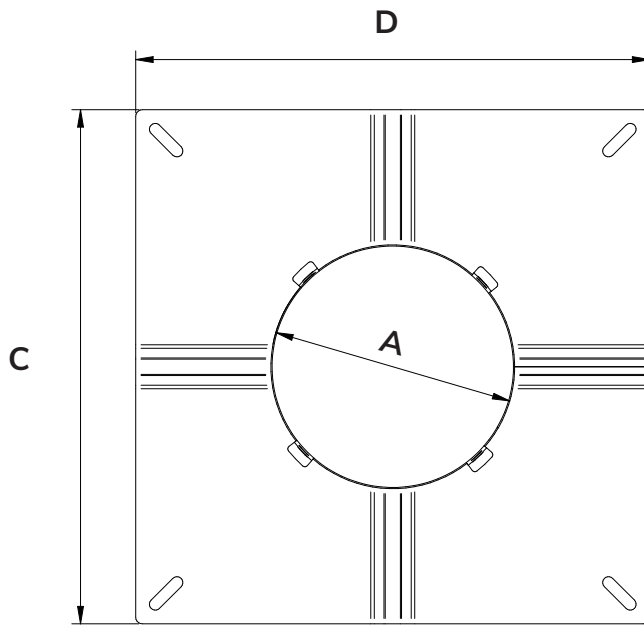
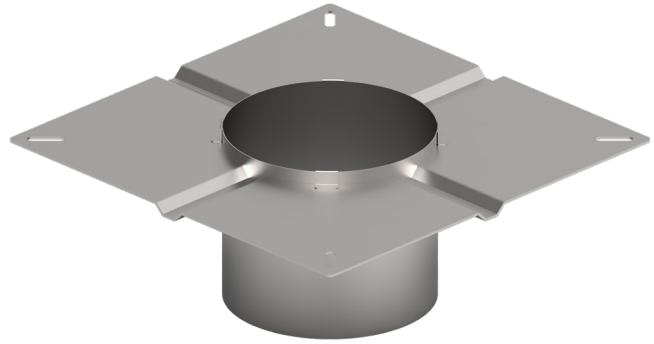


| Product no. | Sales no. | Shape | Chimney width [mm] | A [mm] | B [mm] | C [mm] | D [mm] |
|-------------|-----------|--------|--------------------|--------|--------|--------|--------|
| 7100022 | FR1100WD | Square | Ø100 | Ø97 | 107 | 272 | 272 |
| 7100023 | FR1125WD | Square | Ø125 | Ø122 | 107 | 272 | 272 |
| 7100024 | FR1150WD | Square | Ø150 | Ø147 | 107 | 272 | 272 |
| 7100025 | FR1175WD | Square | Ø175 | Ø172 | 107 | 272 | 272 |
| 7100026 | FR1200WD | Square | Ø200 | Ø197 | 107 | 272 | 272 |
| 7100027 | FR1250WD | Square | Ø250 | Ø247 | 107 | 272 | 272 |

FR2

Standard

Suitable for chimney fan model:
RS009, RS255, RSV012, RSV200,
RSVG200 and RSHT009



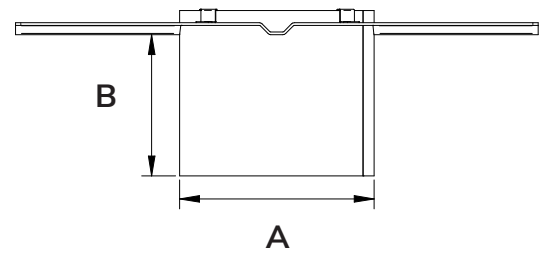
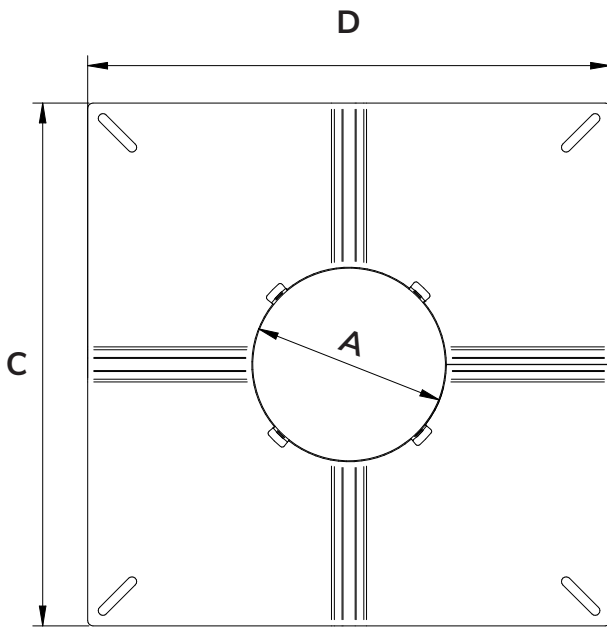
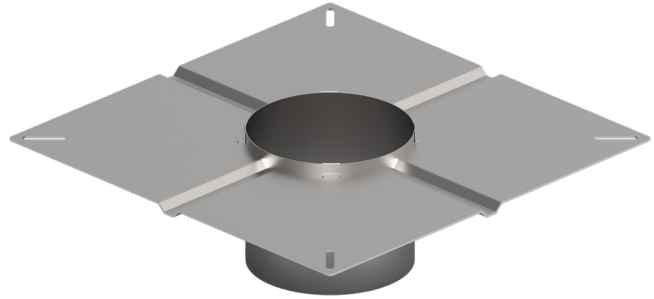
| Product no. | Sales no. | Shape | Chimney width [mm] | A [mm] | B [mm] | C [mm] | D [mm] |
|-------------|-----------|--------|--------------------|--------|--------|--------|--------|
| 7100028* | FR2125WD | Square | Ø125 | Ø122 | 107 | 310 | 310 |
| 7100029 | FR2145WD | Square | Ø145 | Ø142 | 107 | 310 | 310 |
| 7100030 | FR2150WD | Square | Ø150 | Ø147 | 107 | 310 | 310 |
| 7100031 | FR2175WD | Square | Ø175 | Ø172 | 107 | 310 | 310 |
| 7100032 | FR2190WD | Square | Ø190 | Ø187 | 107 | 310 | 310 |
| 7100033 | FR2200WD | Square | Ø200 | Ø197 | 107 | 310 | 310 |
| 7100034 | FR2250WD | Square | Ø250 | Ø247 | 107 | 310 | 310 |

* Not suitable for RSVG200

FR3

Standard

Suitable for chimney fan model:
RS012, RS014, RS285, RSV014,
RSV250, RSVG250, RSHG012,
RSHG014, RSHT012 and RSHT014



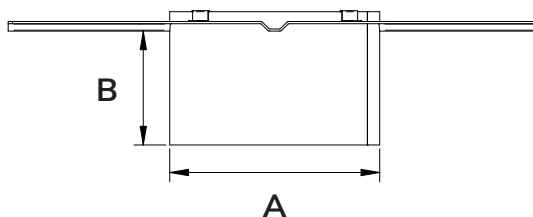
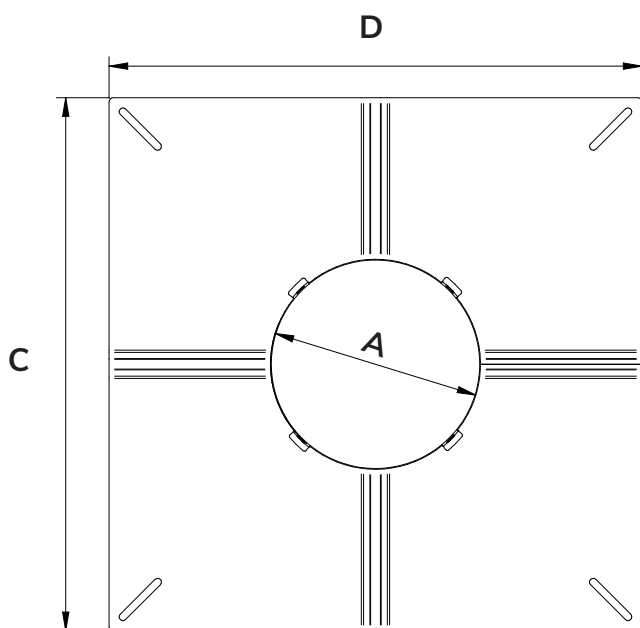
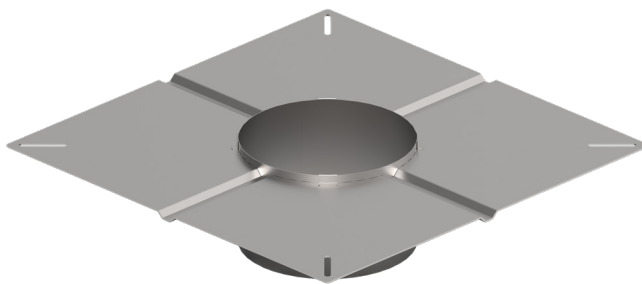
| Product no. | Sales no. | Shape | Chimney width [mm] | A [mm] | B [mm] | C [mm] | D [mm] |
|-------------|-----------|--------|--------------------|--------|--------|--------|--------|
| 7100035 | FR3150WD | Square | Ø150 | Ø147 | 107 | 395 | 395 |
| 7100036 | FR3175WD | Square | Ø175 | Ø172 | 107 | 395 | 395 |
| 7100037 | FR3200WD | Square | Ø200 | Ø197 | 107 | 395 | 395 |
| 7100038 | FR3250WD | Square | Ø250 | Ø247 | 107 | 395 | 395 |
| 7100039 | FR3300WD | Square | Ø300 | Ø297 | 107 | 395 | 395 |
| 7100040 | FR3350WD | Square | Ø350 | Ø347 | 107 | 395 | 395 |

* Not suitable for RSVG250

FR4

Standard

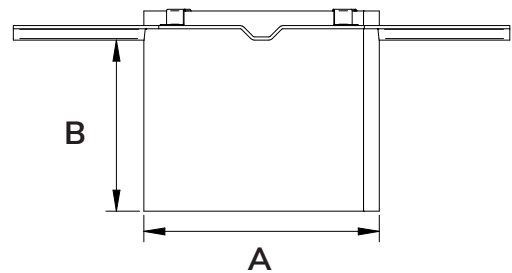
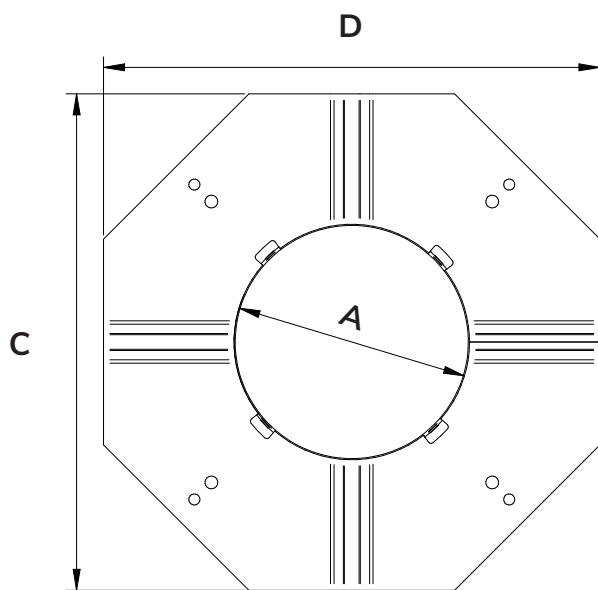
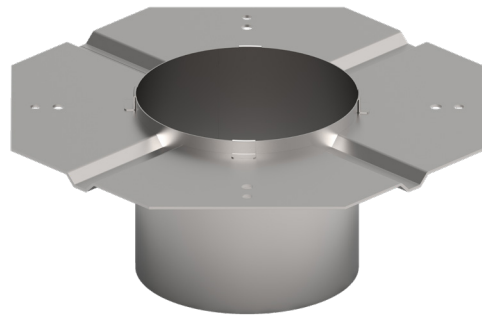
Suitable for chimney fan model:
RS016, RSV016, RSV315, RSV400,
RSV450, RSVG315, and RSHT016



| Product no. | Sales no. | Shape | Chimney width [mm] | A [mm] | B [mm] | C [mm] | D [mm] |
|-------------|-----------|--------|--------------------|--------|--------|--------|--------|
| 7100041 | FR4200WD | Square | Ø200 | Ø197 | 107 | 500 | 500 |
| 7100042 | FR4250WD | Square | Ø250 | Ø247 | 107 | 500 | 500 |
| 7100043 | FR4300WD | Square | Ø300 | Ø297 | 107 | 500 | 500 |
| 7100044 | FR4350WD | Square | Ø350 | Ø347 | 107 | 500 | 500 |
| 7100045 | FR4400WD | Square | Ø400 | Ø397 | 107 | 500 | 500 |

FR2-002 & FR3-002

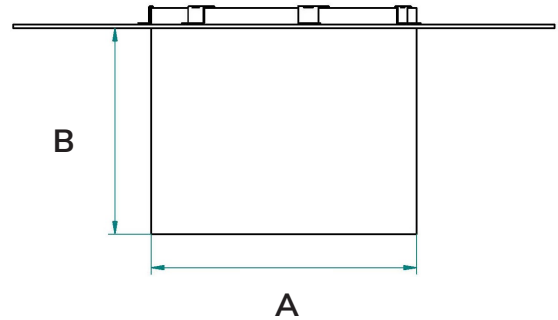
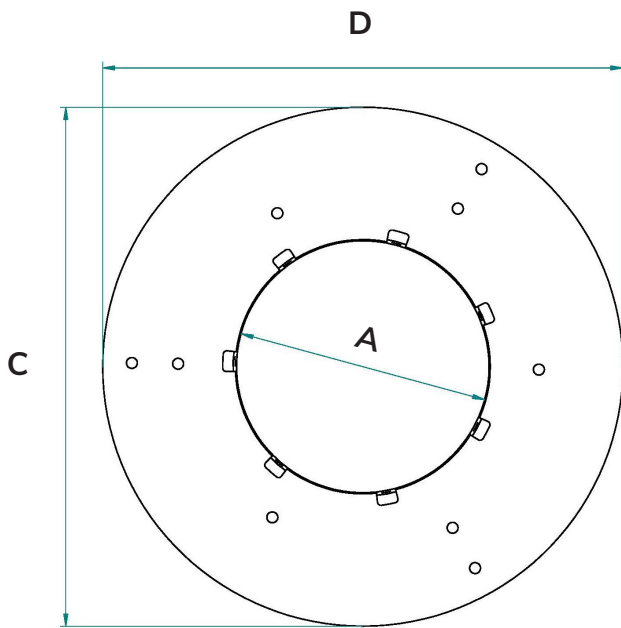
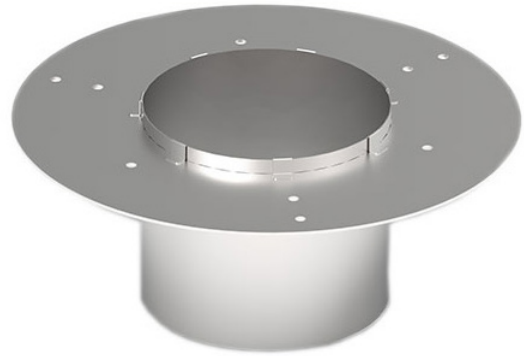
Suitable for chimney fan model:
RS009-02 (for FR2) and
RS012-02 (for FR3)



| Product no. | Sales no. | Shape | Chimney width [mm] | A [mm] | B [mm] | C [mm] | D [mm] |
|-------------|--------------|-----------|--------------------|--------|--------|--------|--------|
| 7100046 | FR2150WD-002 | Octagonal | Ø150 | Ø147 | 107 | 310 | 310 |
| 7100047 | FR2200WD-002 | Octagonal | Ø200 | Ø197 | 107 | 310 | 310 |
| 7100048 | FR3150WD-002 | Octagonal | Ø150 | Ø147 | 107 | 395 | 395 |
| 7100049 | FR3200WD-002 | Octagonal | Ø200 | Ø197 | 107 | 395 | 395 |

FR5

Suitable for chimney fan model:
RHG160



| Product no. | Sales no. | Shape | Chimney width [mm] | A [mm] | B [mm] | C [mm] | D [mm] |
|-------------|-----------|-------|--------------------|--------|--------|--------|--------|
| 7100012 | FR5100 | Round | Ø100 | Ø97 | 113,8 | 300 | 300 |
| 7100013 | FR5125 | Round | Ø125 | Ø122 | 113,8 | 300 | 300 |
| 7100014 | FR5150 | Round | Ø150 | Ø147 | 113,8 | 300 | 300 |